
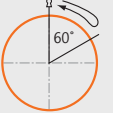





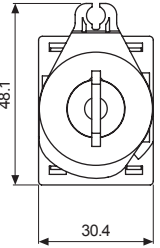
Ø22/25 Key Selector Switches

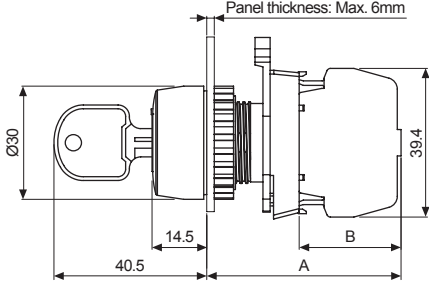
Ø22/25 Round Key Selector Switches (S2KR Series)

Type	Appearance	Operating position		Model	Contact block		LED block					
					A contact	B contact	AC/DC voltage	AC voltage				
Extended	 S2KR-1EK□	2-position, spring return key removal: center		S2KR-1E□A(M)	1	—	—	—				
				S2KR-1E□2A(M)	2	—						
				S2KR-1E□B(M)	—	1						
				S2KR-1E□2B(M)	—	2						
				S2KR-1E□AB(M)	1	1						
		2-position, maintained key removal: right		S2KR-2D□A(M)	1	—						
				S2KR-2D□2A(M)	2	—						
				S2KR-2D□B(M)	—	1						
				S2KR-2D□2B(M)	—	2						
		2-position, maintained key removal: center		S2KR-2E□A(M)	1	—						
				S2KR-2E□2A(M)	2	—						
				S2KR-2E□B(M)	—	1						
				S2KR-2E□2B(M)	—	2						
		2-position, maintained key removal: center + right		S2KR-2F□AB(M)	1	1						
				S2KR-2F□A(M)	1	—						
				S2KR-2F□2A(M)	2	—						
				S2KR-2F□B(M)	—	1						
						S2KR-2F□2B(M)			—	2		
						S2KR-2F□AB(M)			1	1		

※□ indicates color: **K**, **S**
 ※The M in the model name indicates modular type contact block. Models without M are singular contact block.
 ※The control unit, contact blocks, LED blocks are sold separately.
 (control unit: bold letters, contact block: regular letters)
 ※Connect up to 2 contact blocks. Connect the contact blocks only on the right and left side slots.
 It will not operate if connected to the center slot.

• Dimensions (unit: mm)





	A	B
Singular type	51.5	27.0
Modular type	49.5	25.0

※For panel cut-out dimensions, please refer to page A-82.

Ø22/25 Key Selector Switches

Control Switches

Ø16

Ø22/25

Ø30

□30

Push Button Switches

Round

Square

Rectangular

Selector Switches

Round

Square

Rectangular

Key Selector Switches

Round

Square

Rectangular

Double Push Button Switches



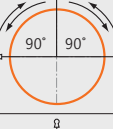
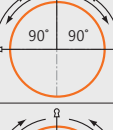
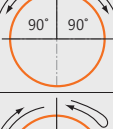
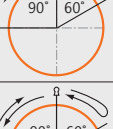


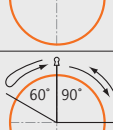
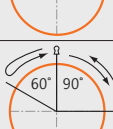
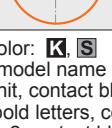
Mushroom-head Push Button Switches

Emergency Switches

Pilot Lights

Accessories

Buzzers

Type	Appearance	Operating position		Model	Contact block		LED block	
					A contact	B contact	AC/DC voltage	AC voltage
Extended			3-position, spring return two-way key removal: center	S2KR-3E□2A(M)	2	—	—	—
				S2KR-3E□2B(M)	—	2		
				S2KR-3E□AB(M)	1	1		
			3-position, maintained key removal: left + right	S2KR-4B□2A(M)	2	—		
				S2KR-4B□2B(M)	—	2		
				S2KR-4B□AB(M)	1	1		
			3-position, maintained key removal: left+center + right	S2KR-4C□2A(M)	2	—		
				S2KR-4C□2B(M)	—	2		
				S2KR-4C□AB(M)	1	1		
			3-position, maintained key removal: center	S2KR-4E□2A(M)	2	—		
				S2KR-4E□2B(M)	—	2		
				S2KR-4E□AB(M)	1	1		
			3-position, spring return from right key removal: left	S2KR-5A□2A(M)	2	—		
				S2KR-5A□2B(M)	—	2		
				S2KR-5A□AB(M)	1	1		
			3-position, spring return from right key removal: center	S2KR-5E□2A(M)	2	—		
				S2KR-5E□2B(M)	—	2		
				S2KR-5E□AB(M)	1	1		
			3-position, spring return from right key removal: left+center	S2KR-5G□2A(M)	2	—		
				S2KR-5G□2B(M)	—	2		
				S2KR-5G□AB(M)	1	1		
			3-position, spring return from left key removal: right	S2KR-6D□2A(M)	2	—		
				S2KR-6D□2B(M)	—	2		
				S2KR-6D□AB(M)	1	1		
	3-position, spring return from left key removal: center	S2KR-6E□2A(M)	2	—				
		S2KR-6E□2B(M)	—	2				
		S2KR-6E□AB(M)	1	1				
	3-position, spring return from left key removal: center + right	S2KR-6F□2A(M)	2	—				
		S2KR-6F□2B(M)	—	2				
		S2KR-6F□AB(M)	1	1				

※□ indicates color: **K**, **S**

※The M in the model name indicates modular type contact block. Models without M are singular contact block.

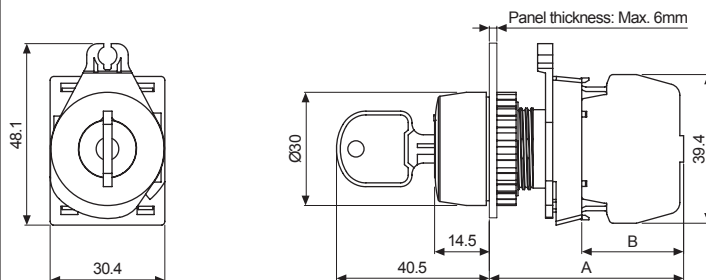
※The control unit, contact blocks, LED blocks are sold separately.

(control unit: bold letters, contact block: regular letters)

※Connect up to 2 contact blocks. Connect the contact blocks only on the right and left side slots. It will not operate if connected to the center slot.

• Dimensions

(unit: mm)




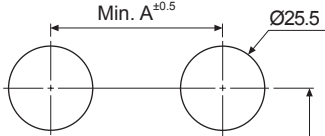
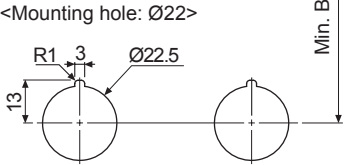









	A	B
Singular type	51.5	27.0
Modular type	49.5	25.0

※For panel cut-out dimensions, please refer to page A-82.

Ø22/25 Panel Cut-out Dimensions

Ø22/25 Panel Cut-out Dimensions

(unit: mm)

Type		A	B	Panel Cut-out Dimensions	
Round/Square Push Button Switches (S2PR/S2PRS Series)			33	55	<p><Mounting hole: Ø25></p>  <p><Mounting hole: Ø22></p> 
Round Selector Switches (S2SR/S2SRN Series)	Short lever		33	55	
	Long lever		55	55	
Round Key Selector Switches (S2KR Series)			33	55	
Double Push Button Switches (S2TR Series)			33	60	
Mushroom-head Push Button Switches (S2BR Series)			33	55	
Emergency Switches (S2ER Series)	D30		33	55	
	D40		55	55	
	D60		80	80	
Pilot Lights (L2RR Series)			33	55	